



# DIGITAL ELITE™ SERIES

## AUTO-DARKENING WELDING HELMETS



**BLACK**  
P/N - 257213



**LUCKY'S SPEED SHOP**  
P/N - 257214



**INFERNO**  
P/N - 257217



**JOKER**  
P/N - 257218

## DESIGNED BY WELDERS FOR WELDERS



### NEW 3 YEAR WARRANTY

Designed to withstand industrial environments, Miller helmets now come with a 3 year warranty (Auto-darkening lens only).



### NEW IMPROVED DIGITAL CONTROLS

Allows the user to easily adjust mode and settings.



### NEW LIGHTWEIGHT HEADGEAR

Designed with user comfort in mind, the headgear has multiple adjustability settings to achieve the best fit.

### TESTED TO AUSTRALIAN STANDARDS

Tested in Australia. The lens and helmet comply with Australian Standards AS/NZ 1338.1 (Auto-darkening) and AS/NZS 1337.1 (High Impact).

### FOUR INDEPENDENT ARC SENSORS

Provide continuous arc sensing for the most demanding applications plus superior lens response.

### BATTERY POWERED WITH SOLAR ASSIST

Provides exceptionally long life. Replaceable battery.

### MAGNIFYING LENS COMPATIBLE

Add a magnifying lens if required\*. *Magnifying lens not included.*

### SUITS A WIDE RANGE OF WELDING PROCESSES

MIG, Stick, TIG, Flux Cored and Pulse.

### LIGHTWEIGHT

At only 510g, the helmet can be worn for long periods, keeping operator fatigue to a minimum.

### BONUS ACCESSORIES INCLUDED:

- > 5 outside cover lenses
- > 2 inside cover lenses
- > Helmet bag

### DIGITAL LENS TECHNOLOGY

<b>WELD</b>	Suits MIG, Stick, TIG, Flux Cored and Pulse welding processes. Shades 9-13.
<b>CUT</b>	Suits Plasma, Laser, Gas welding and cutting applications. Shades 5-9.
<b>GRIND</b>	Suits weld preparation and clean-up. Fixed shade 3.
<b>X-MODE</b>	Electromagnetic arc sensing technology eliminates sunlight interference, intermittent sensing (pipe), low amperage lens openings (TIG) and obstructed sensors. Shades 9-13.



welding.com.au 1300 300 884



# DIGITAL ELITE™ SERIES

## AUTO-DARKENING WELDING HELMETS

### PRODUCT SPECIFICATIONS

PRODUCT SPECIFICATIONS	
Viewing Area	97 x 60mm
Operating Modes	4 Modes: Weld, Cut, Grind, X-Mode
Arc Sensors	4 Independent Sensors Plus X-Mode
Variable Shades	9-13
Light State	4 (All Modes)
Grind Mode	Shade 4
Cut Mode	Shades 5-9
X-Mode*	Shades 9-13
TIG Rating	5 Amps and Below
Power	Replaceable Lithium Battery up to 3000 Hours
Switching Speed (Light - Dark)	1/20,000 Sec

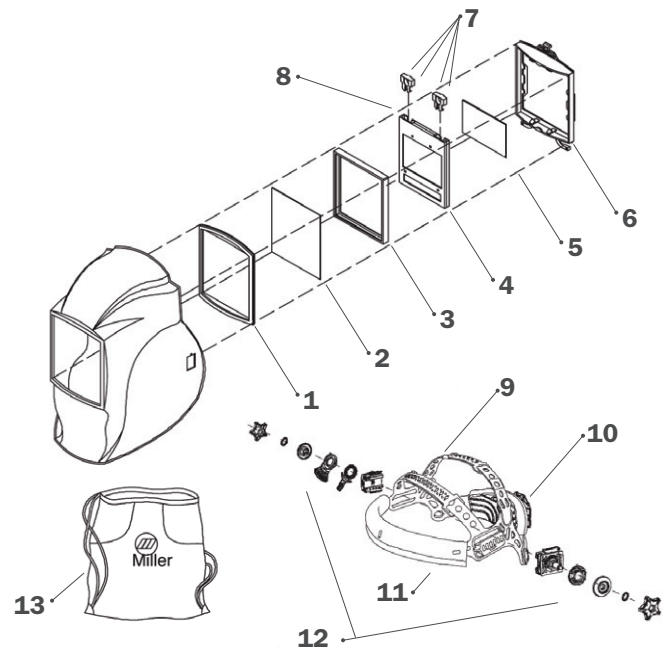
PRODUCT SPECIFICATIONS	
Delay Speed (Dark - Light)	0.10-1.0 Sec
On/Off Control	Automatic
Magnifying Lens Holder	Yes
Weight	510g
Standards	Complies with Australian Standards AS/NZ 1338.1 (Auto-darkening) and AS/NZS 1337.1 (High Impact), ANSI Z87.1 2003 (High Impact), DIN/TUV/CSA
Warranty	3 Years (Auto-Darkening Lens Only)
Rec. Amps GMAW (MIG) MMAW (Stick)	Up to 400 Amps**
Rec Amps GTAW (TIG)	5-350 Amps**

\*X-Mode eliminates sunlight interference, intermittent sensing (pipe), low amperage lens openings (TIG) and obstructed sensors.

\*\*Amperage ratings may vary for processes involving aluminium and stainless steel.

### REPLACEMENT PARTS & ACCESSORIES

PARTS AND ACCESSORIES		
1.	Front Lens Gasket	P/N - 216337
2.	Front Lens Cover (5 Pk)	P/N - 216326P
3.	Gasket - Auto-Darkening Lens	P/N - 234758
4.	Lens Filter	P/N - 256469
5.	Inside Lens Cover	P/N - 216327P
6.	Lens Holder	P/N - 234759
7.	Battery Holder (Left & Right)	P/N - 216339
8.	Replacement Lithium Battery (x2)	P/N - 217043
9.	Ratchet Headgear	P/N - 256174
10.	Comfort Cushion	P/N - 216336
11.	Sweatband Towelling (5 Pk)	P/N - 770249
12.	Adjustment Angle/Stop Kit	P/N - 256178
13.	Helmet Carry Bag with Miller Logo	P/N - 770250



HOBART

welding.com.au 1300 300 884